

Screw-in / smoke gas temperature measuring transducer, with neck tube, calibratable, with multi-range switching and active output

RGTM 2
Basic unit

Calibratable smoke gas / screw-in temperature measuring transducer with neck tube
THERMASGARD® RGTM 2 with eight switchable measuring ranges and continuous output, with connecting head made from aluminium (optionally with **cable gland** or **M12 connector** according to DIN EN 61076-2-101), spring-mounted measuring insert and straight protective tube.

The duct sensor is used to detect high temperatures in gaseous or liquid media, eg. for exhaust air or smoke gas temperature measurement.

The sensor is factory-calibrated; an environmental precision adjustment by an expert is possible.

TECHNICAL DATA

Power supply:	24 V AC / DC (± 10 %) for U variant 15...36 V DC for I variant, depending on working resistance, residual ripple stabilised ± 0.3 V
Working resistance:	$R_a \text{ (Ohm)} = (U_b - 14 \text{ V}) / 0.02 \text{ A}$ for I variant
Load resistance:	$R_L > 5 \text{ kOhm}$ for U variant
Power consumption:	< 1.0 VA / 24 V AC / DC; < 0.55 VA / 24 V DC
Sensor:	Pt1000 (according to DIN EN 60 751, class B) (Perfect Sensor Protection)
Measuring ranges:	multi-range switching with 8 switchable measuring ranges, see table (other ranges optional) with manual zero point correction (± 10K)
Accuracy, temperature:	typically ± 0.2 K at +25 °C
Output:	0 - 10 V or 4...20 mA
Connection type:	2- or 3-wire connection
Electrical connection:	0.2 - 1.5 mm ² , via push-in terminal
Cable connection:	RGTM 2 (Standard) adjusting screw made of metal (M 20 x 1.5); RGTM 2-KV (optional) cable gland, brass, nickel-plated (M 20 x 1.5; with strain relief, exchangeable, inner diameter 6 - 12 mm) RGTM 2-Q (optional) M12 connector according to DIN EN 61076-2-101 (male, 5-pin, A-code)
Dimensions:	see dimensional drawing
Connecting head:	form B, material aluminium, colour white aluminium (similar to RAL 9006), ambient temperature -30...+70 °C
Protective tube:	stainless steel, V4A (1.4571), G ½" straight pipe thread, wrench size 27 mm, $p_{max} = 40 \text{ bar}$, $\varnothing = 8 \text{ mm}$ length of neck tube (HL) = 80 mm inserted length (EL) = 100 - 400 mm (see table)
Process connection:	screwed socket with G ½"
Humidity:	< 95 % RH, non-precipitating air
Protection class:	III (according to EN 60 730)
Protection type:	IP 54 (according to EN 60 529) RGTM 2 IP 65 (according to EN 60 529) RGTM 2-KV / RGTM 2-Q
Standards:	CE conformity according to EMC directive 2014 / 30 / EU



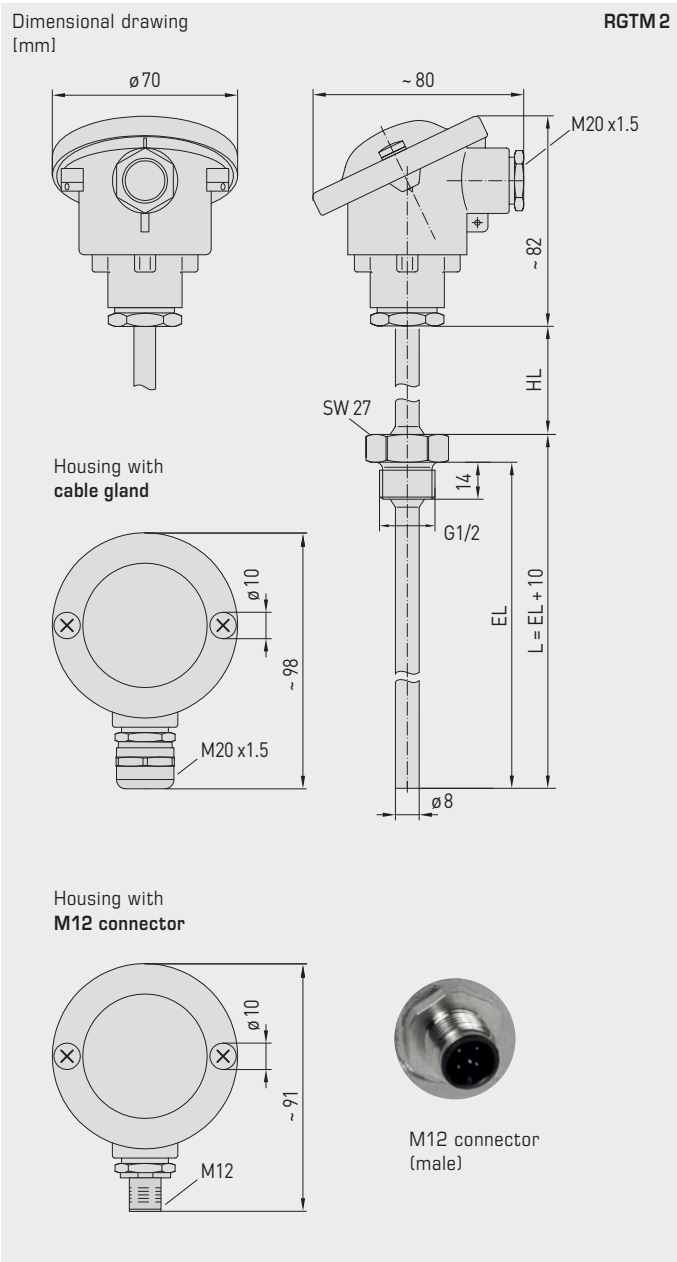
RGTM 2
Measuring insert with ceramic tubelet in metal sleeve



S+S REGELTECHNIK

THERMASGARD® RGTM 2

Screw-in / smoke gas temperature measuring transducer, with neck tube, calibratable, with multi-range switching and active output



High-performance encapsulation against vibration, mechanical stress and humidity



RGTM 2
standard
(IP 54)



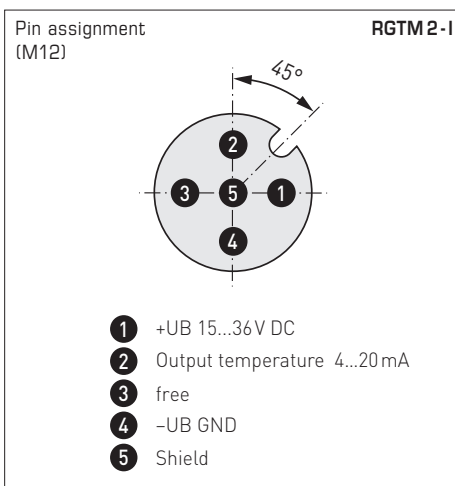
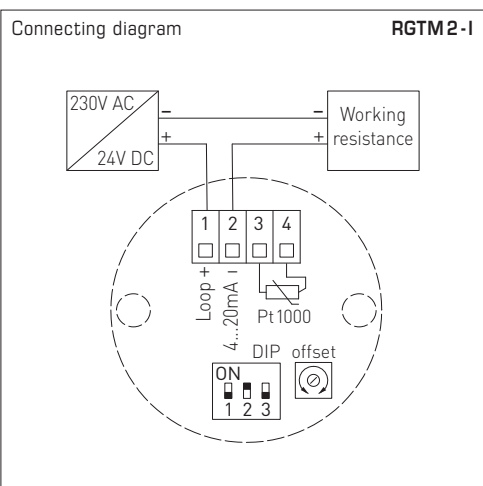
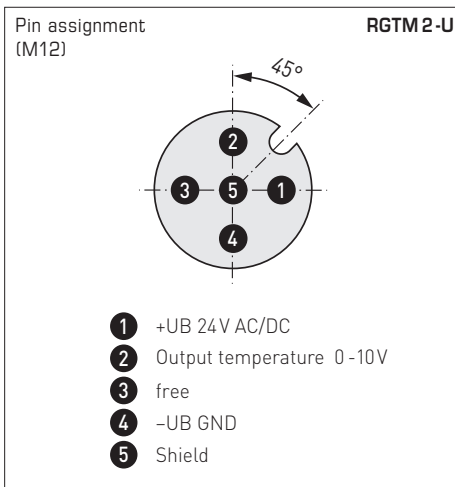
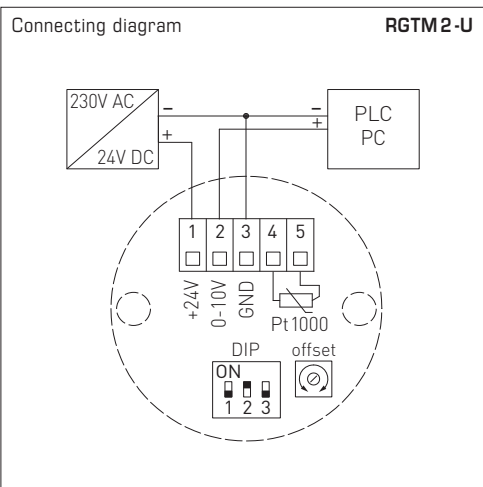
RGTM 2 - KV
with cable gland
(IP 65)



RGTM 2 - Q
with M12 connector
(IP 65)



Screw-in / smoke gas temperature measuring transducer,
with neck tube, calibratable, with multi-range switching
and active output



Measuring ranges (adjustable)	DIP 1	DIP 2	DIP 3
-20...+ 150 °C	ON	ON	ON
0... +50 °C (default)	OFF	ON	ON
0...+ 100 °C	ON	OFF	ON
0...+ 200 °C	OFF	OFF	ON
0...+ 300 °C	ON	ON	OFF
0...+ 400 °C	OFF	ON	OFF
0...+ 500 °C	ON	OFF	OFF
0...+ 600 °C	OFF	OFF	OFF





THERMASGARD® RGTM 2		Screw-in / smoke gas temperature measuring transducer with neck tube (standard)			
Type / WG01	Output	Installation length (EL)	Item No. Output 0-10V	Item No. Output 4...20mA	Price
RGTM 2-x	$x = U / I$		IP 54, U-variant	IP 54, I-variant	
RGTM 2-x 100/80mm	0-10V / 4...20mA	100 mm	1101-2161-0029-810	1101-2162-0029-810	309,02 €
RGTM 2-x 150/80mm	0-10V / 4...20mA	150 mm	1101-2161-0039-810	1101-2162-0039-810	314,62 €
RGTM 2-x 200/80mm	0-10V / 4...20mA	200 mm	1101-2161-0049-810	1101-2162-0049-810	317,43 €
RGTM 2-x 250/80mm	0-10V / 4...20mA	250 mm	1101-2161-0059-810	1101-2162-0059-810	330,07 €
RGTM 2-x 300/80mm	0-10V / 4...20mA	300 mm	1101-2161-0069-810	1101-2162-0069-810	334,29 €
RGTM 2-x 400/80mm	0-10V / 4...20mA	400 mm	1101-2161-0089-810	1101-2162-0089-810	335,71 €
Housing variant:	with pressure screw (IP 54)				
Extra charge:	other measuring ranges optional				28,03 €

THERMASGARD® RGTM 2 - KV		Screw-in / smoke gas temperature measuring transducer with neck tube (with cable gland)			
Type / WG01	Output	Installation length (EL)	Item No. Output 0-10V	Item No. Output 4...20mA	Price
RGTM 2-x KV	$x = U / I$		IP 65, U-variant	IP 65, I-variant	
RGTM 2-x 100/80mm KV	0-10V / 4...20mA	100 mm	1101-21D1-0029-810	1101-21D2-0029-810	319,43 €
RGTM 2-x 150/80mm KV	0-10V / 4...20mA	150 mm	1101-21D1-0039-810	1101-21D2-0039-810	325,04 €
RGTM 2-x 200/80mm KV	0-10V / 4...20mA	200 mm	1101-21D1-0049-810	1101-21D2-0049-810	327,84 €
RGTM 2-x 250/80mm KV	0-10V / 4...20mA	250 mm	1101-21D1-0059-810	1101-21D2-0059-810	340,50 €
RGTM 2-x 300/80mm KV	0-10V / 4...20mA	300 mm	1101-21D1-0069-810	1101-21D2-0069-810	344,70 €
RGTM 2-x 400/80mm KV	0-10V / 4...20mA	400 mm	1101-21D1-0089-810	1101-21D2-0089-810	346,10 €
Housing variant "KV":	with cable gland (IP 65)				
Extra charge:	other measuring ranges optional				28,03 €

THERMASGARD® RGTM 2 - Q		Screw-in / smoke gas temperature measuring transducer with neck tube (with M12 connector)				
Type / WG01	Output	Installation length (EL)	Q ●	Item No. Output 0-10V	Item No. Output 4...20mA	Price
RGTM 2-x Q	$x = U / I$			IP 65, U-variant	IP 65, I-variant	
RGTM 2-x 100/80mm Q	0-10V / 4...20mA	100 mm	●	2001-4141-1100-011	2001-4141-2100-011	355,28 €
RGTM 2-x 150/80mm Q	0-10V / 4...20mA	150 mm	●	2001-4141-1100-021	2001-4141-2100-021	360,90 €
RGTM 2-x 200/80mm Q	0-10V / 4...20mA	200 mm	●	2001-4141-1100-031	2001-4141-2100-031	364,99 €
RGTM 2-x 250/80mm Q	0-10V / 4...20mA	250 mm	●	2001-4141-1100-041	2001-4141-2100-041	376,32 €
RGTM 2-x 300/80mm Q	0-10V / 4...20mA	300 mm	●	2001-4141-1100-051	2001-4141-2100-051	380,53 €
RGTM 2-x 400/80mm Q	0-10V / 4...20mA	400 mm	●	2001-4141-1100-061	2001-4141-2100-061	381,97 €
Housing variant "Q":	with M12 connector (male, 5-pin, A-code) (IP 65)					
Extra charge:	other measuring ranges optional				28,03 €	