

Duct temperature sensors / smoke gas temperature sensors,
including mounting flange, with passive output

RGTF 1
standard

Resistance thermometer / smoke gas temperature sensor **THERMASGARD® RGTF 1** with passive output, with connecting head made from aluminium (optionally with **cable gland** or **M12 connector** according to DIN EN 61076-2-101) and straight protective tube, incl. mounting flange.

The duct sensor is used to detect relatively high temperatures in gaseous media, eg, for exhaust air and smoke gas temperature measurement.

TECHNICAL DATA

Measuring range:	-35...+600 °C (extended range limits from -100...+750 °C optional)
Sensor / output:	Pt100/Pt1000 (according to DIN EN 60 751, class B) (Perfect Sensor Protection)
Connection type:	2-wire connection (Pt1000) 4-wire connection (Pt100; optional Pt1000)
Testing current:	< 0.6 mA (Pt1000) < 1.0 mA (Pt100)
Insulating resistance:	≥ 100 MΩ, at +20 °C (500 V DC)
Electrical connection:	0.14 - 2.5 mm ² via terminal screws on ceramic base
Cable connection:	RGTF 1 (standard) adjusting screw made of metal (M20 x 1.5); RGTF 1-KV (optional) cable gland, brass, nickel-plated (M20 x 1.5; with strain relief, exchangeable, inner diameter 6 - 12 mm) RGTF 1-Q (optional) M12 connector according to DIN EN 61076-2-101 (male, 5-pin, A-code)
Dimensions:	see dimensional drawing
Connecting head:	form B, material aluminium, colour white aluminium (similar to RAL 9006), ambient temperature -20...+100 °C
Protective tube:	stainless steel V4A (1.4571), Ø = 8 mm inserted length (EL) = 200 - 500 mm (see table)
Process connection:	by mounting flange, stainless steel V2A (1.4305) (included in the scope of delivery)
Humidity:	< 95 % RH, non-precipitating air
Protection class:	III (according to EN 60 730)
Protection type:	IP 54 (according to EN 60 529) RGTF 1 IP 65 (according to EN 60 529) RGTF1-KV / RGTF1-Q



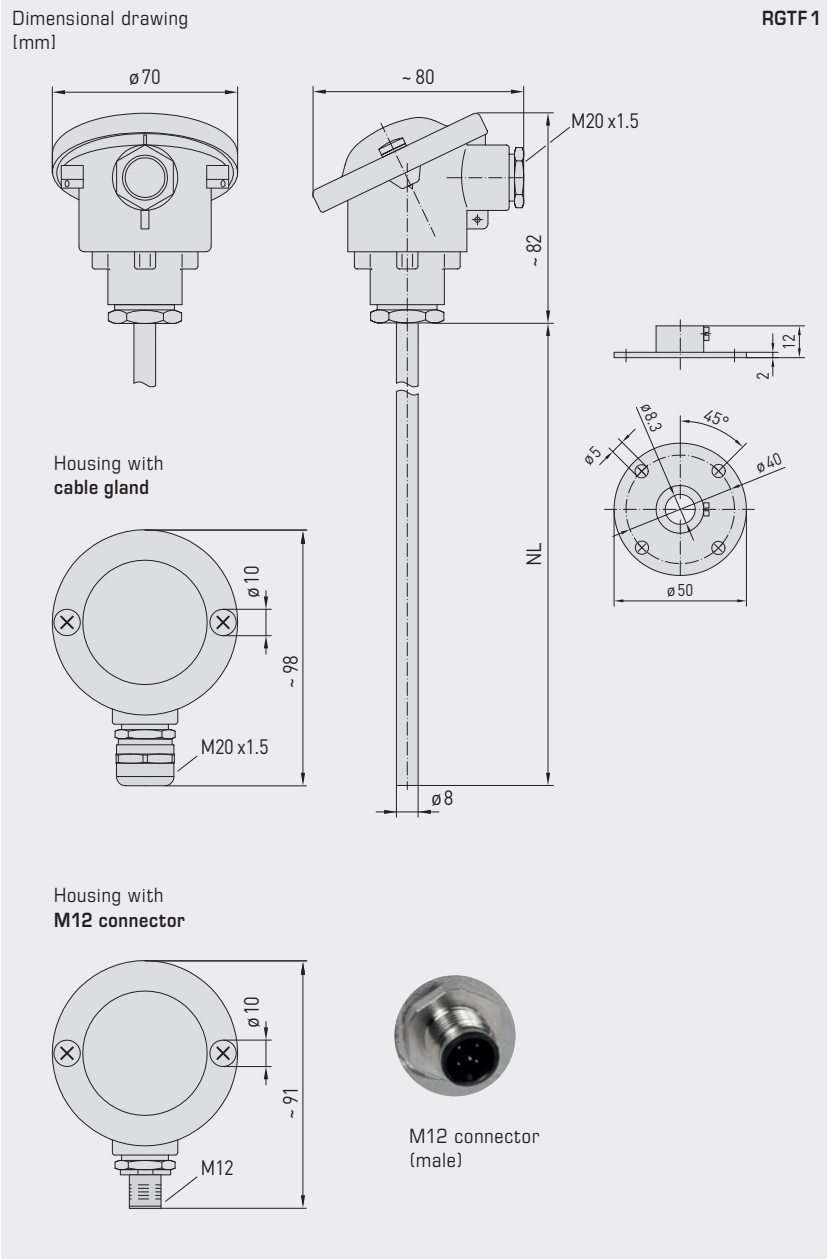
RGTF 1
Measuring insert with
ceramic tubelet



S+S REGELTECHNIK

THERMASGARD® RGTF 1

Duct temperature sensors / smoke gas temperature sensors, including mounting flange, with passive output



RGTF 1 standard (IP 54)



RGTF 1-KV with cable gland (IP 65)



RGTF 1-Q with M12 connector (IP 65)



High-performance encapsulation against vibration, mechanical stress and humidity



Duct temperature sensors / smoke gas temperature sensors,
including mounting flange, with passive output

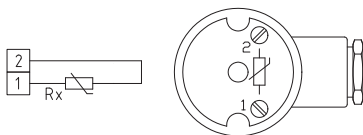
2-wire connection
(Pt1000)



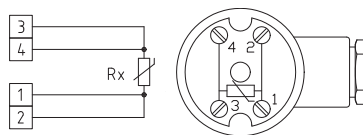
4-wire connection
(Pt100 / Pt1000 optional)



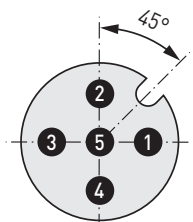
1x two-wire connection
(Pt1000)



1x four-wire connection
(Pt100 / Pt1000 optional)

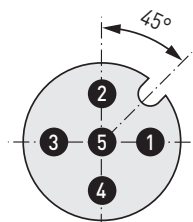


1x two-wire connection
pin assignment (M12)



- 1 Rx
- 2
- 3 frei / free
- 4 frei / free
- 5 frei / free

1x four-wire connection
pin assignment (M12)



- 1
- 2 Rx
- 3
- 4
- 5 frei / free



RGTF 1
standard
(IP 54)



RGTF 1-KV
with cable gland
(IP 65)



RGTF 1-Q
with M12 connector
(IP 65)



THERMASGARD® RGTF 1		Duct temperature sensors / smoke gas temperature sensors, including mounting flange (Standard)		
Type / WG01	Sensor / Output	Installation length (EL)	Item No.	Price
RGTF1 Pt100 xx	Pt100 (according to DIN EN 60751, class B)		IP54 , 4-wire	
RGTF1 Pt100 200mm	Pt100	200 mm	1101-3040-1043-000	203,52 €
RGTF1 Pt100 250mm	Pt100	250 mm	1101-3040-1053-000	205,65 €
RGTF1 Pt100 300mm	Pt100	300 mm	1101-3040-1063-000	210,27 €
RGTF1 Pt100 500mm	Pt100	500 mm	1101-3040-1103-000	226,58 €
RGTF1 Pt1000 xx	Pt1000 (according to DIN EN 60751, class B)		IP54 , 2-wire	
RGTF1 Pt1000 200mm	Pt1000	200 mm	1101-3040-5041-000	196,64 €
RGTF1 Pt1000 250mm	Pt1000	250 mm	1101-3040-5051-000	198,75 €
RGTF1 Pt1000 300mm	Pt1000	300 mm	1101-3040-5061-000	203,37 €
RGTF1 Pt1000 500mm	Pt1000	500 mm	1101-3040-5101-000	209,41 €
Housing variant:	with pressure screw (IP54)			
Extra charge:	other measuring ranges optional			on request

THERMASGARD® RGTF 1 - KV		Duct temperature sensors / smoke gas temperature sensors, including mounting flange (with cable gland)		
Type / WG01	Sensor / Output	Installation length (EL)	Item No.	Price
RGTF1 Pt100 xx KV	Pt100 (according to DIN EN 60751, class B)		IP65 , 4-wire	
RGTF1 Pt100 200mm KV	Pt100	200 mm	1101-30D0-1043-000	207,05 €
RGTF1 Pt100 250mm KV	Pt100	250 mm	1101-30D0-1053-000	209,17 €
RGTF1 Pt100 300mm KV	Pt100	300 mm	1101-30D0-1063-000	213,79 €
RGTF1 Pt100 500mm KV	Pt100	500 mm	1101-30D0-1103-000	219,84 €
RGTF1 Pt1000 xx KV	Pt1000 (according to DIN EN 60751, class B)		IP65 , 2-wire	
RGTF1 Pt1000 200mm KV	Pt1000	200 mm	1101-30D0-5041-000	207,05 €
RGTF1 Pt1000 250mm KV	Pt1000	250 mm	1101-30D0-5051-000	209,17 €
RGTF1 Pt1000 300mm KV	Pt1000	300 mm	1101-30D0-5061-000	213,79 €
RGTF1 Pt1000 500mm KV	Pt1000	500 mm	1101-30D0-5101-000	219,84 €
Housing variant "Q":	with cable gland (IP65)			
Extra charge:	other measuring ranges optional			on request

THERMASGARD® RGTF 1 - Q		Duct temperature sensors / smoke gas temperature sensors, including mounting flange (with M12 connector)			
Type / WG03	Sensor / Output	Installation length (EL)	Q ●	Item No.	Price
RGTF1 Pt100 xx Q	Pt100 (according to DIN EN 60751, class B)			IP65 , 4-wire	
RGTF1 Pt100 200mm Q	Pt100	200 mm	●	2Z01-4131-0100-011	242,78 €
RGTF1 Pt100 250mm Q	Pt100	250 mm	●	2Z01-4131-0100-021	245,01 €
RGTF1 Pt100 300mm Q	Pt100	300 mm	●	2Z01-4131-0100-031	249,62 €
RGTF1 Pt100 500mm Q	Pt100	500 mm	●	2Z01-4131-0100-041	255,69 €
RGTF1 Pt1000 xx Q	Pt1000 (according to DIN EN 60751, class B)			IP65 , 2-wire	
RGTF1 Pt1000 200mm Q	Pt1000	200 mm	●	2Z05-4131-0100-011	242,78 €
RGTF1 Pt1000 250mm Q	Pt1000	250 mm	●	2Z05-4131-0100-021	245,01 €
RGTF1 Pt1000 300mm Q	Pt1000	300 mm	●	2Z05-4131-0100-031	249,62 €
RGTF1 Pt1000 500mm Q	Pt1000	500 mm	●	2Z05-4131-0100-041	255,69 €
Housing variant "KV":	with M12 connector (male, 5-pin, A-code) (IP65)				
Extra charge:	other measuring ranges optional				on request